

# **KDR-1200D Digital Excitation System**



## □ KDR-1200D Features

- Real time metering
- 32-bit microprocessor
- 0.25% voltage regulation (AVR mode)
- Generator voltage soft start
- Adjustable under frequency threshold
- rms voltage sensing, single or three phase voltage sensing
- Reactive droop current compensation
- Under and over excitation limiting
- Var or power factor control
- Auto tracking of all operating modes
- Dual modes of controller
- Reference adjuster for remote raise/lower control
- Control via a contact input, front panel switches
- Output annunciation via general alarm contacts
- Watchdog timer alarm output contact
- Protection including :
  - Generator under and over voltage
  - Generator under frequency
  - Field over voltage
  - Field over current
  - Loss of voltage sensing
- Input/Output : 74 Points (AI:18, AO:8, DI:32, DO:16)
- Data logging and event recording
- PSS(Optional)

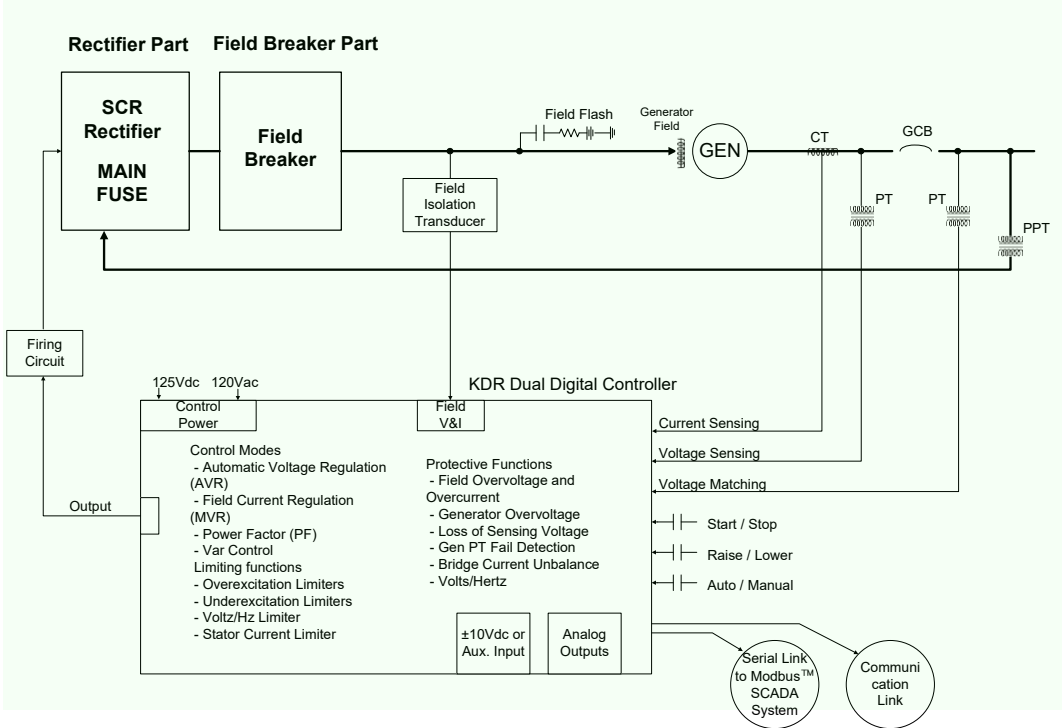


<Control Panel>

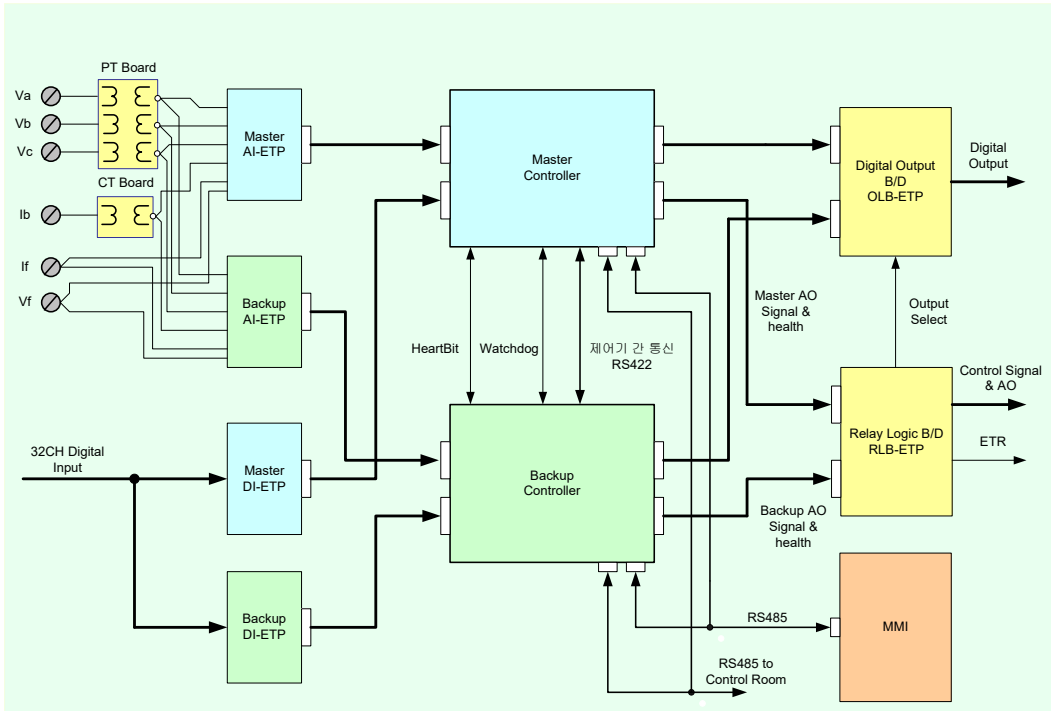


<Rotating type AVR>

**KDR-1200 Single Line Diagram**



**KDR-1200 Configuration**





□ ***PCR (Phase Controlled Rectifier)***

- 3 Phase Full Bridge Rectifier
- Dual Parallel Bridge
- Input AC Breaker
- Output DC Isolator
- Bridge Active Balance Current Control
- Dual Fan Air cooling
- Firing Control Circuit
- Mimic Display Board
- Field Forcing
- On-Line Maintenance



□ ***Field Breaker***

- Field Breaker (ANSI 37.14 & ANSI 37.16)
- Field Discharge Resistor (ANSI/IEEE C 37.18)
- De-excitation Circuit
- AC/DC Initial Flashing
- AC/DC Filter





- ▶ Would you like to do replacement of the aging equipment?
- ▶ Would you like to do reliable equipment than the current equipment ?

☺ *Meet the Glory ENC ..*

☺ *Let us help you with all the best..*

**Address : #401 SKn Technopark Biz-center 190-1**

**Sangdaewon-dong, Jungwon-gu, Sungnam-si, Gyunggi-do, Korea**

**Tel. : +82-31-776-0913~5      Fax. : +82-31-776-0916**

**E-mail : [gloryenc@hanmail.net](mailto:gloryenc@hanmail.net) / [nylee320@hanmail.net](mailto:nylee320@hanmail.net)**

**Home page : <http://www.gloryenc.co.kr>      <http://www.gloryenc.com>**